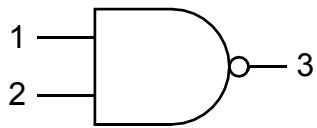
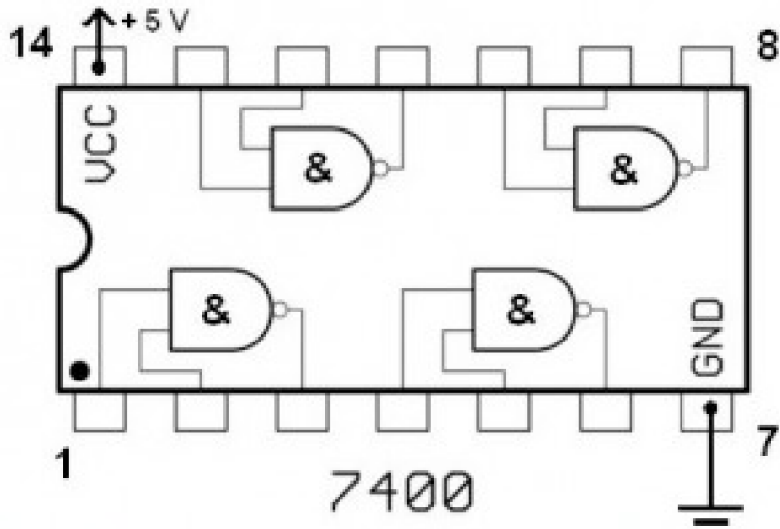


NAND circuit for DigitalInOut.vi



- Digital Ports/Lines
- 1: P0.4 out (pin 19)
  - 2: P0.5 out (pin 51)
  - 3: P0.6 in (pin 16)
  - 7: D Gnd (pin 18)