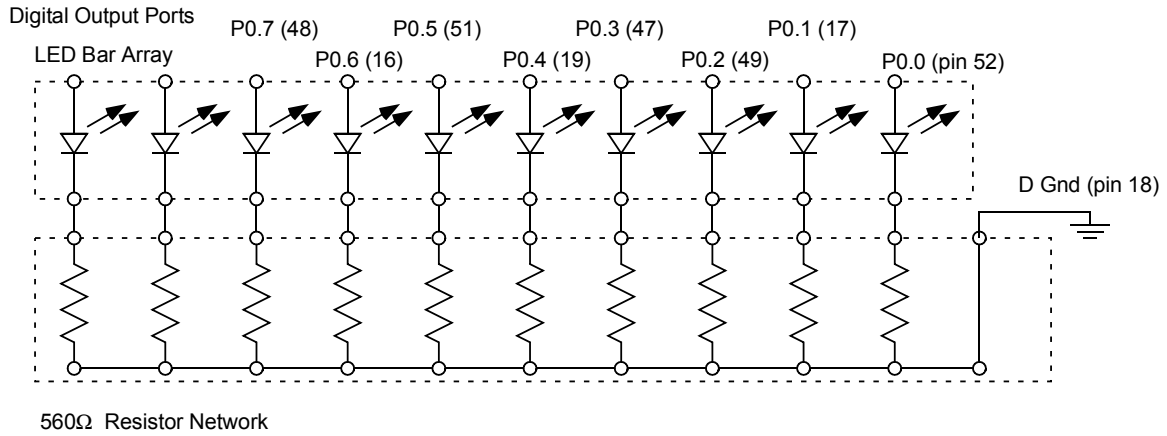
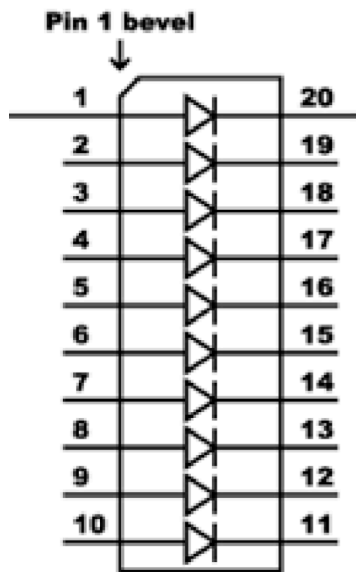


PH 415

The circuit for the Digital LED tasks looks like this:



LED Array:



Resistor network:

